

## QPD4-2400-6000

4-Way, 2.4~6GHz

### Features:

- \* Small Size
- \* Low Insertion Loss

### Applications:

- \* Amplifiers
- \* Mixers
- \* Antennas
- \* Laboratory Test

### Electrical

Frequency:	2.4~6GHz
Insertion Loss:	1.2dB max.
Input VSWR:	1.3 max.
Output VSWR:	1.2 max.
Isolation:	18dB min.
Amplitude Balance:	0.3dB max.
Phase Balance:	±4°
Impedance:	50Ω
Average Power:	100W max. 10W max. as combiner

### Mechanical

Size*1:	108*110*22mm 4.252*4.331*0.866in
Weight:	550g
Mounting:	4-Φ4.4mm through-hole

### Environmental

Operation Temperature: -35~+75°C

### How To Order

**QPD4-2400-6000-X-Y**

X: Average power as divider

Y: Connector type

Connector naming rules:

N - N Female (Outline A)

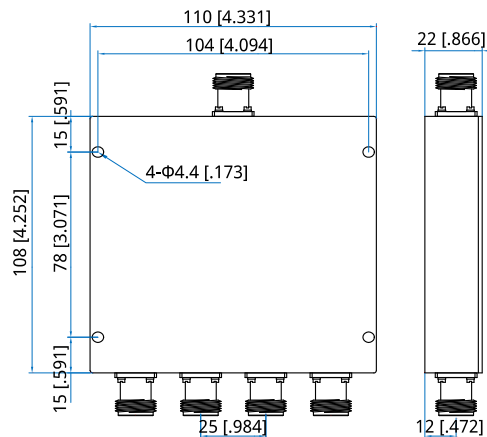
NS - N Female & SMA Female (Outline B)

Examples:

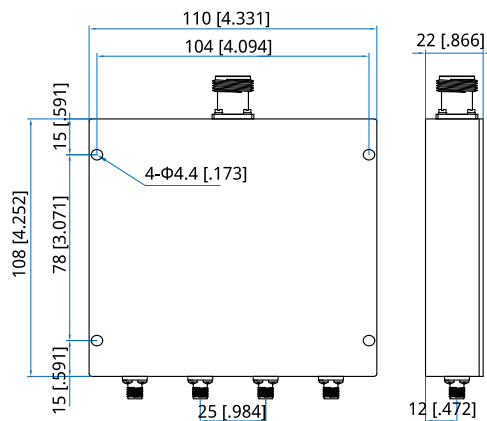
To order a 4-way power divider, 2.4~6GHz, 100W, N female, specify QPD4-2400-6000-K1-N.

Customization is available upon request.

### Outline Drawings



Outline A



Outline B

Unit: mm [in]

Tolerance: ±0.5mm [±0.02in]